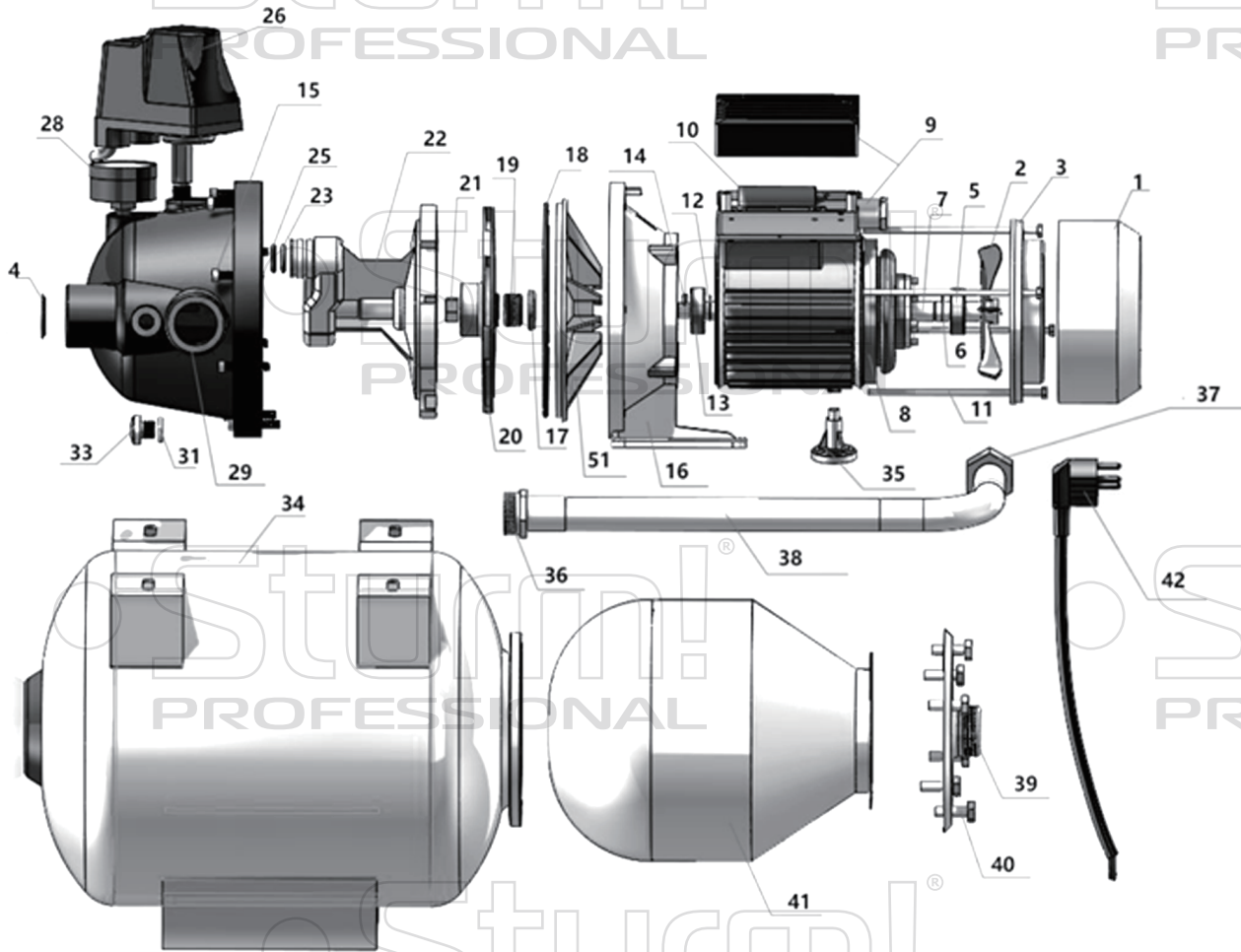


WP97080PL



NO.	DESCRIPTION
1	FAN COVER
2	FAN
3	MOTOR END COVER
4	OUTLET PROTECTOR PLASTIC COVER
5	BACK BEARING
6	CIRCLIP
7	SHAFT AND ROTOR ASSEMBLY
8	STATOR WITH COIL ASSEMBLY
9	TERMINAL BOX
10	CAPACITOR
11	MOTOR TIE-ROD
12	CIRCLIP
13	FRONT BEARING
14	IMPELLER PIN
15	FIXING BOLT FOR PUMP BODY
16	MOTOR FRONT COVER
17	MECHANICAL SEAL STATIONARY RING
18	O RING
19	MECHANICAL SEAL ROTARY RING
20	IMPELLER
21	IMPELLER STOP NUT
22	VENTURI ASSEMBLY
23	O RING FOR VENTURI
25	UPPER O RING FOR VENTURI
26	PRESSURE SWITCH
28	PRESSURE GAUGE
29	PUMP BODY PLASTIC
31	O RING FOR HEAD SCREW
33	HEAD SCREW
34	AIR PRESSURE TANK
35	FOOT BRACKET
36	OUTLET SOFT CONNECTION
37	AIR PRESSURE TANK CONNECTION
38	CONNECTION TUBE BETWEEN AIR PRESSURE TANK AND PUMP
39	MEMBRANE FASTENING
40	AIR TANK FASTENING BOLT
41	MEMBRANE
42	POWER CABLE & PLUG
51	CONNECTION BAFFLE